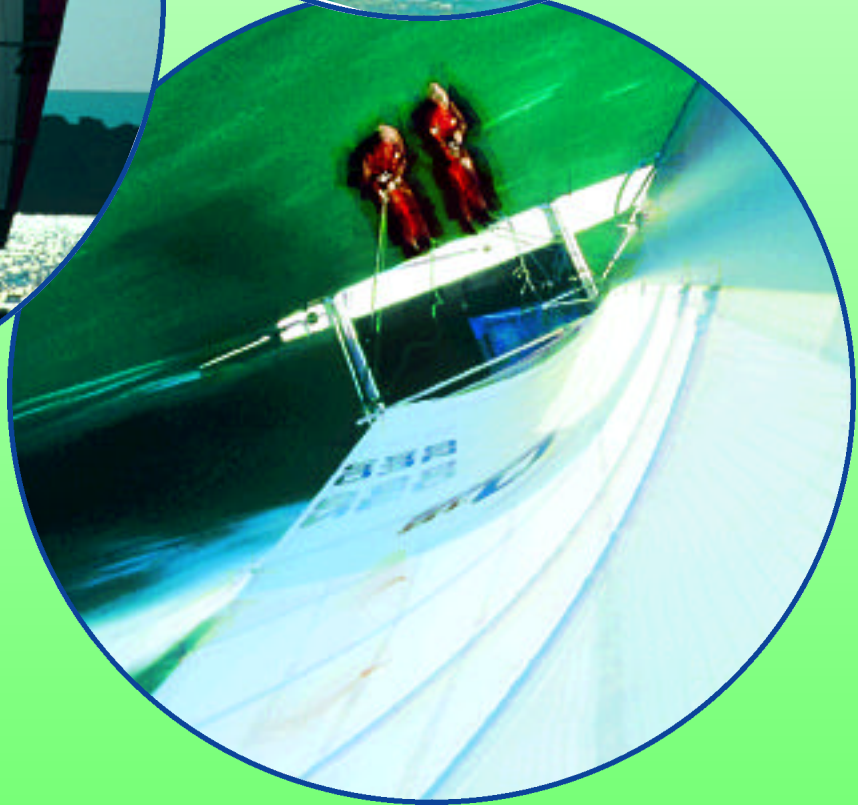


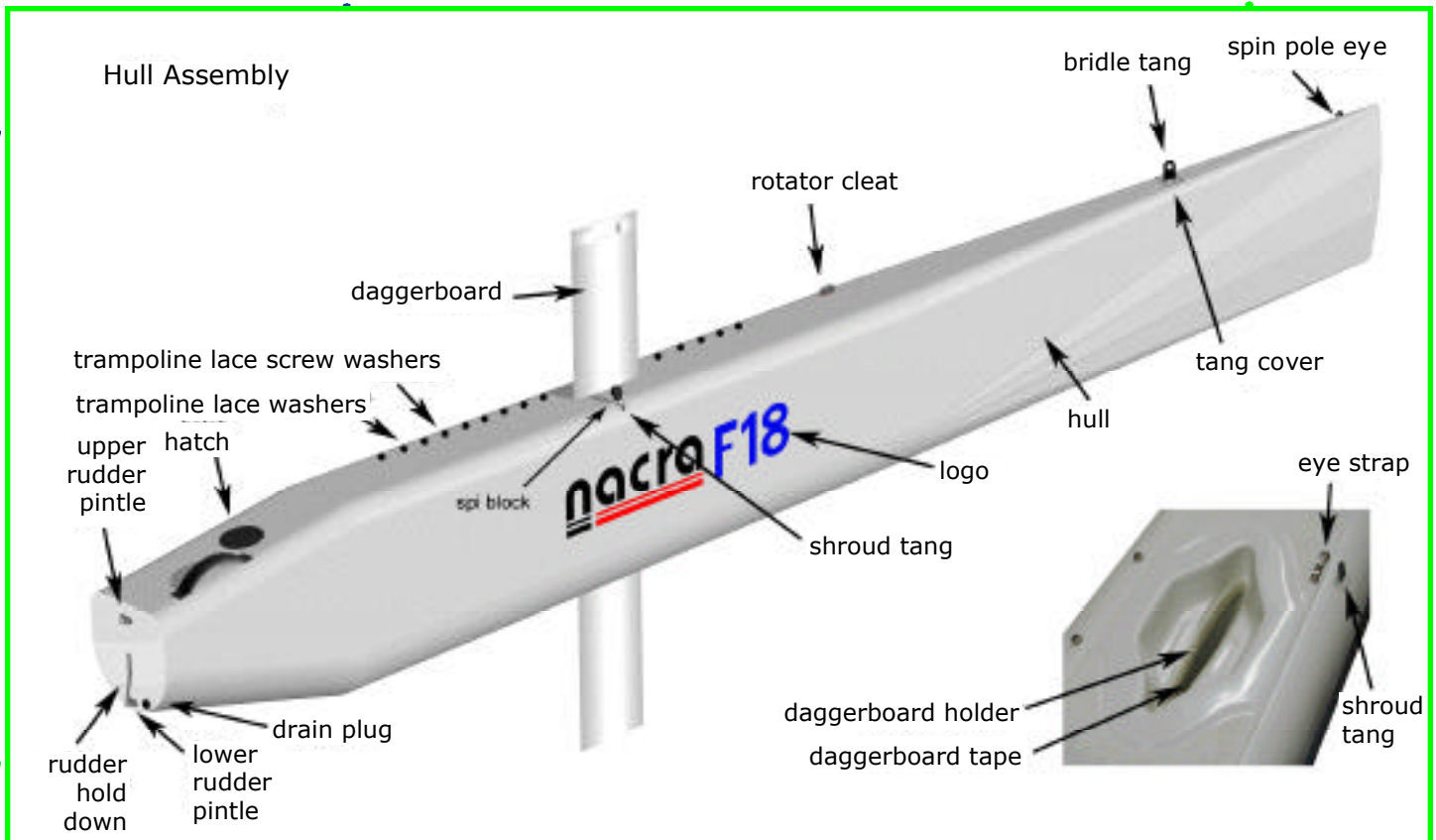
# ***NAERA***



## Parts Catalog

# Hull Assembly

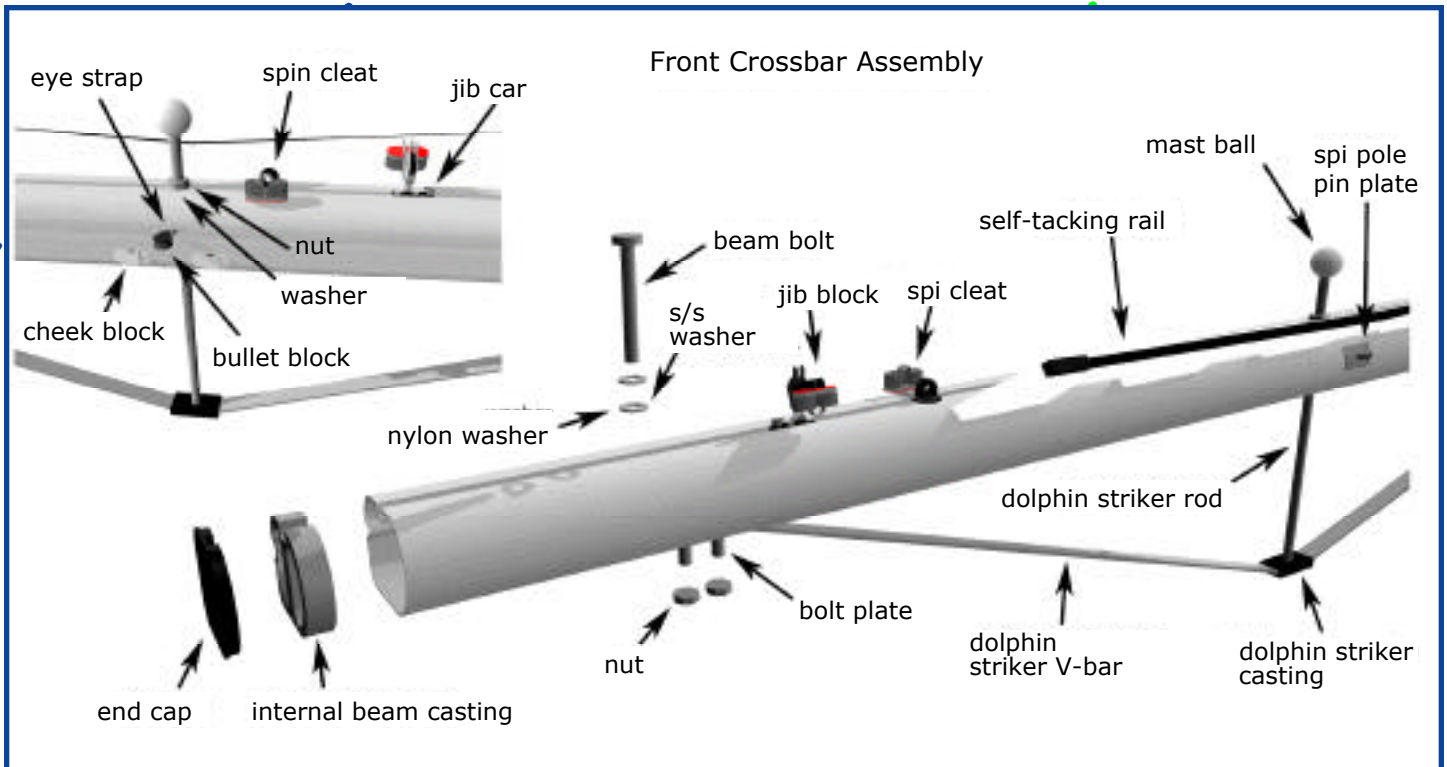
P/N	Description	Model	P/N	Description	Model
1540	Port Hull	Blast	4592	Daggerboard Stop	Any
1541	Starboard Hull	Blast	4597	Centerboard Complete	580
1504	Port Hull	500	1027	Centerboard Spring Kit	580
1505	Starboard Hull	500	1029	Centerboard Pivot Tube	580
1576	Port Hull	570	4870	Centerboard Lock Bearing	580
1577	Starboard Hull	570	F144	Centerboard Lock Screw	580
1562	Port Hull	580	1017	Drain Plug Assembly	Any
1563	Starboard Hull	580	9036	Drain Plug Replacement	Any
1715	Port Hull	17	1830	Trampoline Track	500/570/580
1716	Starboard Hull	17	F135	Trampoline Lace Screw	17/F18/F18IN/20
1815	Port Hull	18	F267	Trampoline Lace Washer	17/F18/F18IN/20
1816	Starboard Hull	18	1003	Lower Rudder Pintle	Any
1855	Port Hull	F18	1004	Upper Rudder Pintle	17/F18/20
1856	Starboard Hull	F18	1007	Upper Rudder Pintle	500/570F18IN
1865	Port Hull	F18IN	1002	Rudder Hold Down	Any
1866	Starboard Hull	F18IN	F161	Pintle Bolts	Any
1837	Port Hull	20	F155	Hold Down Bolts	Any
1838	Starboard Hull	20	1825	4" Hatch Assembly	Any
4585	Daggerboard 8" x 60"	18/F18/20	1835	4" Hatch Cover	Any
4595	Daggerboard 8" x 54"	F17	1827	4" Hatch "O" Ring	Any
4594	Daggerboard 10" x 60"	F18	J135	5" Hatch Assembly	F18IN
4600	Daggerboard 9" x 66"	F18IN	9066	Rotator Cleat	17/18/F18/20
1041	Daggerboard Holder	Any	9494	Threaded Spin Eye	F18/F18IN
F111	Daggerboard Holder Screw	Any	1865	Bow Bridle Eye	F18IN
1082	Daggerboard Tape (per foot)	Any	1809	Tang Cover	Any
1083	Daggerboard Carpet (per foot)	Any	C320	Hull Cradles	Any



# Front Crossbar Assembly

P/N	Description	Model	P/N	Description	Model
2535P	Replacement Front Crossbar*	Blast	D118	Downhaul Retractor Kit	Any
2527P	Replacement Front Crossbar*	500/570	2525	Endcap Casting-Right	Any
2586P	Replacement Front Crossbar*	580	2526	Endcap Casting-Left	Any
1717P	Replacement Front Crossbar*	17	F169	Endcap Screws	Any
2513P	Replacement Front Crossbar*	18	3008	Large Strap Eye	Any
1850P	Replacement Front Crossbar*	F18	9057	Bullet Block w/Swivel (H#-166)	Any
2020P	Replacement Front Crossbar*	F18IN	9046	Rotator Cheek Block (H#-092)	Any
2030P	Replacement Front Crossbar*	20	4014	Rotator Block Bushing	Any
2528	Dolphin Striker V-Bar	500/570/17	9076	Rotator Block w/Swivel (H#-292)	Any
2529	Dolphin Striker V-Bar	580	9930	Jib Car	Any
5180	Dolphin Striker V-Bar	18/20	F180	Front Crossbar Bolts	Any
1852	Dolphin Striker V-Bar	F18	F182	Front Crossbar Allen Tool	Any
2022	Dolphin Striker V-Bar	F18IN	F183	Crossbar Nylon Washer	Any
2507	Dolphin Striker Rod	Any	F122	Crossbar Stainless Steel Washer	Any
2504	Mast Ball	Any	9626	Spin Pole Pin Plate	Any
2505	Dolphin Striker Casting	Any	6012	Warning Sticker	Any
F151	9/16 Hex Nut	Any	9008	Bottle of Grease	Any
F152	9/16 Washer	Any			
9932	Spin Hal Swivel Cleat (H#-HC4551)	Any			
3505	Spin Hal Swivel Cleat (H#-240)	Any			
9903	Furler Cleat	Any			

\* Replacement Front Crossbar includes beam, internal castings, end caps and dolphin striker assembly. No other fittings.

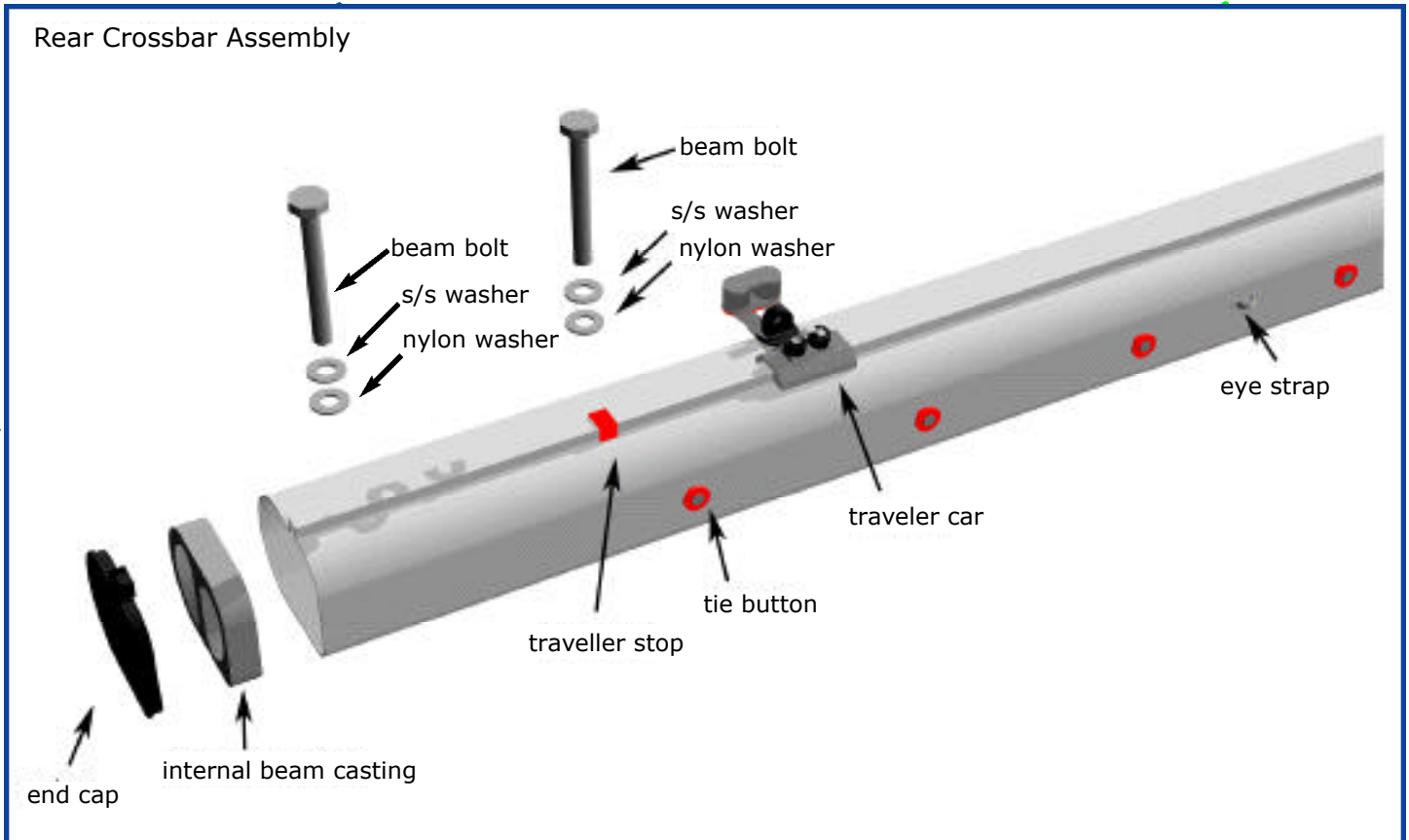


# Self-Tacking Jib Assembly

<u>P/N</u>	<u>Description</u>	<u>Model</u>	<u>P/N</u>	<u>Description</u>	<u>Model</u>
3530	Self Tacking Jib Sheet Kit	Any	3531	Traveler Car (H#-HSB436)	Any
3534	Self Tacking Jib Base w/Hardware	Any	3532	Track Base	Any
3519C	Traveler Track	Any	3533	Track Base Mounting Tangs	Any
3521	End Stops (pair)	Any			

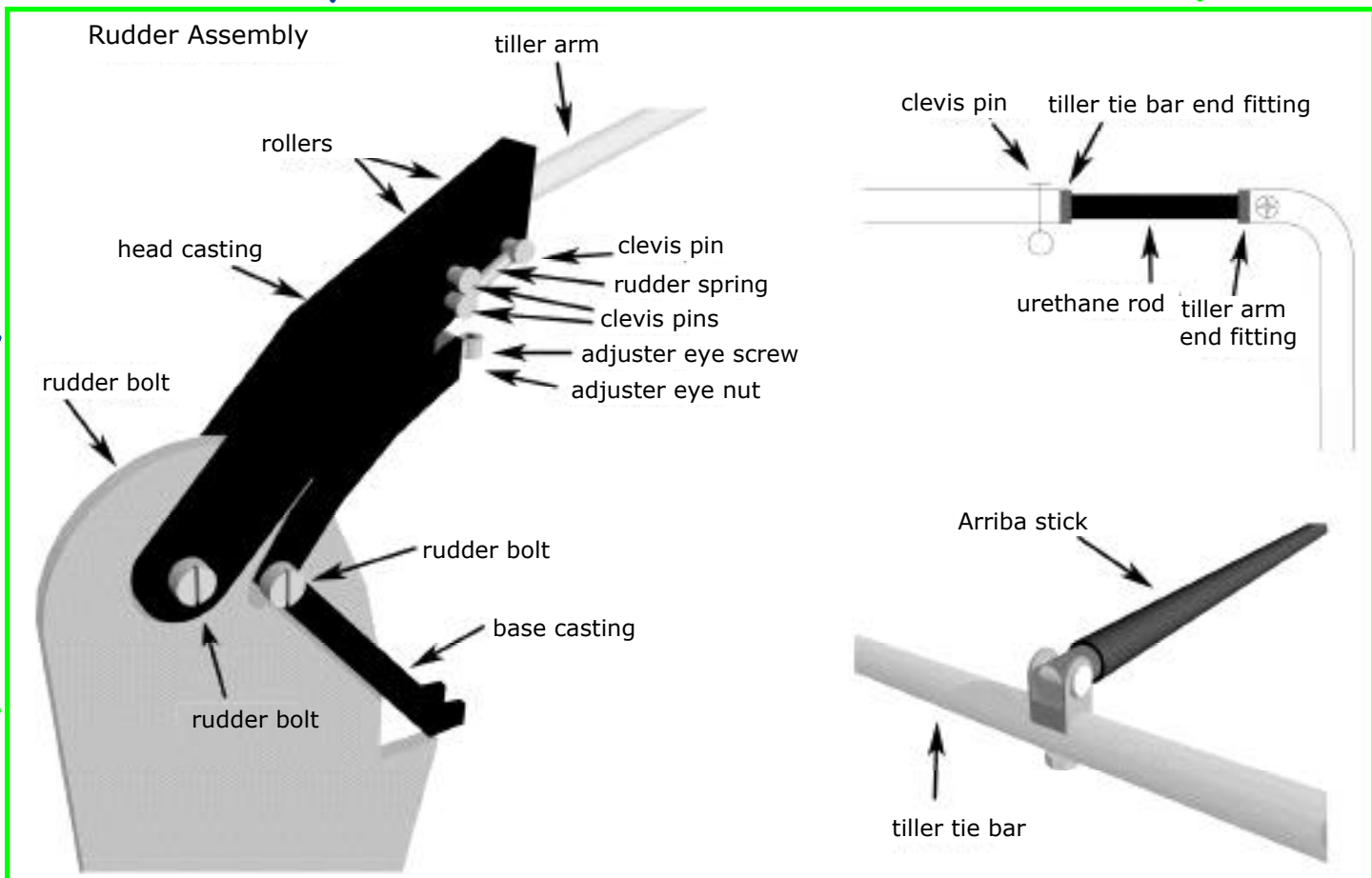
# Rear Crossbar Assembly

<u>P/N</u>	<u>Description</u>	<u>Model</u>	<u>P/N</u>	<u>Description</u>	<u>Model</u>
3060	Rear Crossbar Complete	Blast	3526	Endcap Casting-Left	Any
3057	Rear Crossbar Complete	500/570	F169	Endcap Screws	Any
3058	Rear Crossbar Complete	580	3511	Traveler Stop	Any
3017	Rear Crossbar Complete	17	F111	Traveler Stop Screw	Any
3018	Rear Crossbar Complete	F18	3008	Eye Strap	Any
3020	Rear Crossbar Complete	F18IN	9882	Trampoline Tie Buttons	Any
3183	Rear Crossbar Complete	18/20	F181	Rear Crossbar Bolt	Any
3495	Traveler Car (H#-2738)	Any	F183	Nylon Washer	Any
3518	Traveler Car Pre 2004 (H#-441)	Any	F122	Stainless Steel Washer	Any
3525	Endcap Casting-Right	Any	9008	Bottle of Grease	Any



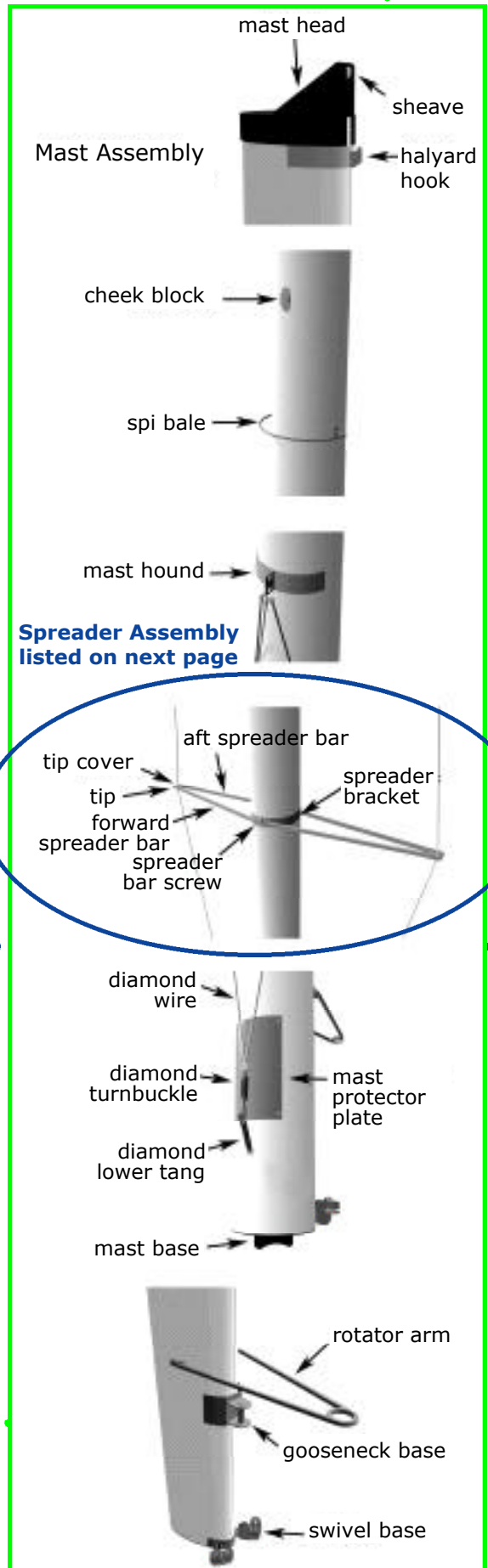
# Rudder Assembly

P/N	Description	Model	P/N	Description	Model
4570	Rudder Blade (Original)	Blast/500/570	1001	Tiller End Fitting	Any
4580	Rudder Blade (Original)	17/18/F18/20	F169	Tiller End Fitting Screw	Any
4599	Rudder Blade	500/570/580	4587	1/4" x 2-1/2" Clevis Pin	Any
4598	Rudder Blade	17/F18/F18IN/20	4586	5/16" x 2-1/2" Clevis Pin	Any
4530	Rudder Base Casting	Any	4016	Rudder Spring	Any
4565	Rudder Base Assembly	Any	4590	Rudder Head Roller	Any
4531	Rudder Head Casting	Any	1000	Rudder Adjustment Eye Screw	Any
4541	Rudder Head Assembly Port	Blast	F187	Rudder Adjustment Eye Nut	Any
4542	Rudder Head Assembly Stbd	Blast	4584	Rudder Blade Bushing	Any
4566	Rudder Head Assembly Port	17/500/570	F191	Rudder Bolt	Any
4576	Rudder Head Assembly Stbd	17/500/570	F123	Rudder Nylock Nut	Any
4556	Rudder Head Assembly Port	580	4544	Tiller Tie Bar Extrusion	Blast
4575	Rudder Head Assembly Stbd	580	5518	Tiller Tie Bar Extrusion	18/20
4567	Rudder Head Assembly Port	18	5002	Tiller Tie Bar Extrusion	17/F18/500/570
4577	Rudder Head Assembly Stbd	18	5010	Tiller Tie Bar Extrusion	580
4568	Rudder Head Assembly Port	F18	5012	Tiller Tie Bar Extrusion	F18IN
4578	Rudder Head Assembly Stbd	F18	4535	Tiller Tie Bar End Fitting	Any
4552	Rudder Head Assembly Port	F18IN	4536	Tiller Tie Bar End Fitting w/Urethane	Any
4553	Rudder Head Assembly Stbd	F18IN	4588	Urethane Rod 3"	Any
4564	Rudder Head Assembly Port	20	6504	1/4" x 1-1/8" Clevis Pin	Any
4574	Rudder Head Assembly Stbd	20	5802	Arriba Stick	Any
4540	Tiller Arm	Blast	F115	Cotter Pin	Any
4571	Tiller Arm	17/500/570	C281	Yoke Assembly	Any
4554	Tiller Arm	580	F185	Press Pin	Any
4579	Tiller Arm	18	4543	Tiller Tie Bar Complete	Blast
4573	Tiller Arm	F18	5001	Tiller Tie Bar Complete	17/F18/500/570
4550	Tiller Arm Port	F18IN	5011	Tiller Tie Bar Complete	580
4551	Tiller Arm Stbd	F18IN	4563	Tiller Tie Bar Complete	18/20
4583	Tiller Arm	20	5013	Tiller Tie Bar Complete	F18IN



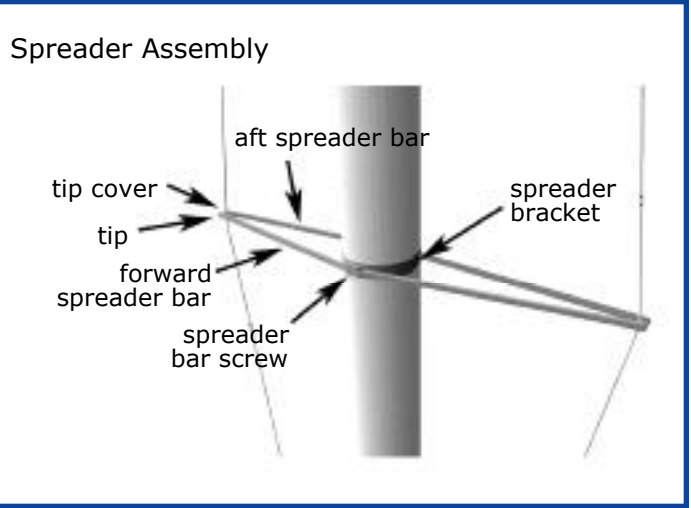
# Mast Assembly

<u>P/N</u>	<u>Description</u>	<u>Model</u>
6573	Mast Complete	Blast
6573-S	Mast Complete	Blast School
6555	Mast Complete	500
6570	Mast Complete	570
6565	Mast Complete	580
1734	Mast Complete	17
1734C	Mast Complete-Carbon	17R
6518	Mast Complete	18
6576	Mast Complete	F18
6566	Mast Complete	F18IN
6620	Mast Complete	20
6602	Mast Head Casting	Any
6578	Mast Head Flat Top	500/570
6582	Mast Head Angled	17/F18//580
6583	Mast Head	F18IN
6602CAR	Mast Head, Carbon Mast	17/18/20
6621	Carbon Mast Head Yoke	17/18/20
6804	Mast Head Sheave	Any
4012	Clevis Pin	Any
6535	Strap Eye	Any
6812	Halyard Hook Fixed	Any
6579	Halyard Hook Swivel	Any
9046	Spin Hal Cheek Block (H#-092A)	Any
9770	Spin Hal Bullet Block (H#-348ASSY)	Any
6630	Spin Hal Swivel Cleat (H#-HSB437)	F18IN
9420	Spinnaker Bale	Any
6606	Mast Hound	Any
6585	Mast Hound	F18IN
6817	Diamond Tang Upper	All-Alum.
6820	Diamond Tang Upper	All-Carbon
6818	Diamond Tang Lower	Any
6526	Carbon Mast Tang Bolt Kit	All-Carbon
6814	Spreader Bracket One Piece	Any
6810	Spreader Base Fwd	Any
6811	Spreader Base Aft	Any
6822	Spreader Base Fwd	F18IN
6823	Spreader Base Aft	F18IN
9416	Mast Protector Plate	Any
9841	Rotator Arm	Any
6808	Rotator 2 Bolt Plate	Any
7807	Gooseneck Base	Any
6584	Gooseneck Base	F18IN
9034	Downhaul Cheek Block (H#-233A)	Any
C620	Downhaul Swivel Cleat (H#-HSB292)	Any
6605	Mast Base Casting	Any
6608	Mast Base Casting	F18
6612	Mast Base Casting	F18IN
6617	Diamond Wire Adjuster Base	F18IN
6616	Diamond Wire Adjuster Bolt	F18IN
6618	Diamond Wire Adjuster Bolt Washer	F18IN
6613	Phenolic Halyard Sheave	F18IN
6614	Downhaul Sheave	F18IN
9770	Downhaul Block (H#-348)	F18IN
6619	Clevis Pin	F18IN
6615	Sheave Bolt	F18IN
F123	1/4-20 Nylock Nut	F18IN
6605CAR	Carbon Mast Base Casting	17/20
F116	Split Ring	Any
F107	5/16" Nylock Nut	Any
F118	Nylon Washer	Any
F158	Mast Step Pin	Any
6011/6012	Warning Stickers	Any



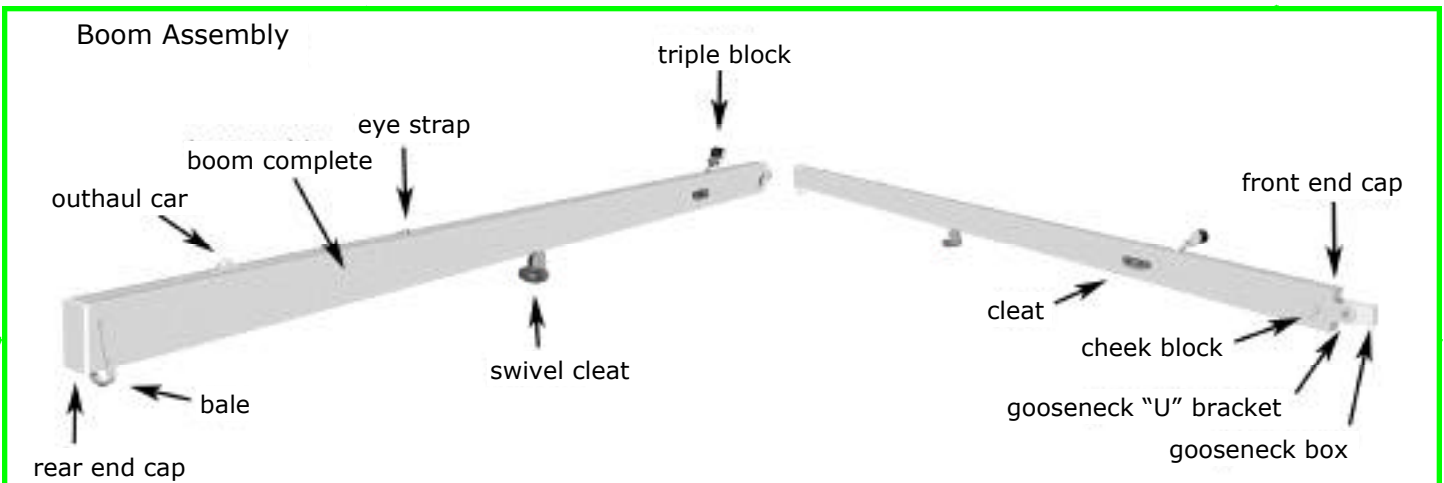
# Spreader Assembly

<u>P/N</u>	<u>Description</u>	<u>Model</u>
C270	Spreader Replacement Kit	Blast/500
C272	Spreader Replacement Kit	570/580
9843	Aft Spreader Bar	Blast/500
9922	Aft Spreader Bar	570/580
9945	Aft Spreader Bar	17/F18/F18IN/20
9844	Fwd Spreader Bar	Blast/500
9923	Fwd Spreader Bar	570/580
9946	Fwd Spreader Bar	17/F18/F18IN/20
9845	3/16" x 5/8" Clevis Pin	Any
9412	3/16" x 3/8" Clevis Pin	Any
9851	Fwd Spreader Bar Screw	Blast/500570/580
9947	Fwd Spreader Bar Screw	17/F18/F18IN/20
9862	Spreader Tip Cover	Any
9842	Spreader Tip Alum.	Blast/500570/580
9864	Spreader Tip SS	Any
9926	1/4" x 1/2" Clevis Pin	Any
9506	Seizing Wire	Any
F116	Split Ring	Any



# Boom Assembly

<u>P/N</u>	<u>Description</u>	<u>Model</u>	<u>P/N</u>	<u>Description</u>	<u>Model</u>
6574	Boom Complete	Blast	7012	Outhaul Shockcord	Any
1735	Boom Complete	17	9096	Internal Double Block (H#-406A)	Any
7910	Boom Complete	18/20	4009	Internal Roller	Any
7912	Boom Complete	F18	C613	Outhaul Swivel Cleat (H#-HSB293)	Any
7920	Boom Complete	F18IN	7808	Gooseneck Box Fitting	Any
7915	Boom Complete	580	7809	Gooseneck Clevis Pin	Any
7902	Front Endcap Rec. Boom	Any	7810	Gooseneck "U" Bracket	Any
7903	Rear Endcap Rec. Boom	Any	F131	Gooseneck Bolt	Any
9625	End Cap Round Boom	Any	F132	Gooseneck Lock Nut	Any
7004	Boom Bale	Any	F133	Gooseneck Washer	Any
7906	Outhaul Car Bearing	Any	1736	Boom Extrusion	17
7907	Outhaul Car	Any	7911	Boom Extrusion	18/20
7908	Outhaul Sheave	Any	7913	Boom Extrusion	F18
7909	Outhaul Car Wheel	Any	7921	Boom Extrusion	F18IN
7010	Outhaul Line	Any	7916	Boom Extrusion	580



# Front End Snuffer Pole System

<u>P/N</u>	<u>Description</u>	<u>Model</u>	<u>P/N</u>	<u>Description</u>	<u>Model</u>
9679	Aluminum Snuffer Pole	Blast	9635	Snuffer Bag End Hoop	F18/20
9639	Aluminum Snuffer Pole	17/18/F18	9640	Snuffer Shackle	Any
9619	Aluminum Snuffer Pole End Cap	17/18/F18	9653	Pole Holder Ring	17
9636	Carbon Snuffer Pole	20	9632	Pole Holder Ring w/Furler	18/F18/20
9638	Carbon Snuffer Pole Extension	20	9425	Pole Holder Ring	20
9603	Snuffer Head Straight	Any	1733	Ring Wire	17
9613	Snuffer Head Angled	Any	1732	Foreguy Wire	17
9641	Snuffer Head Compression Tube	Any	9652	Bridle Tang	17
9642	Snuffer Eye	Any	9681	Snuffer Bridle Wire	Blast
F124	Bolt	Any	9645	Snuffer Bridle Wire	18
F123	Nylock Nut	Any	9647	Snuffer Bridle Wire	20
9678	Snuffer Bag End Hoop	Blast	1738	Snuffer Bridle Wire	17
9634	Snuffer Bag End Hoop	17/18			

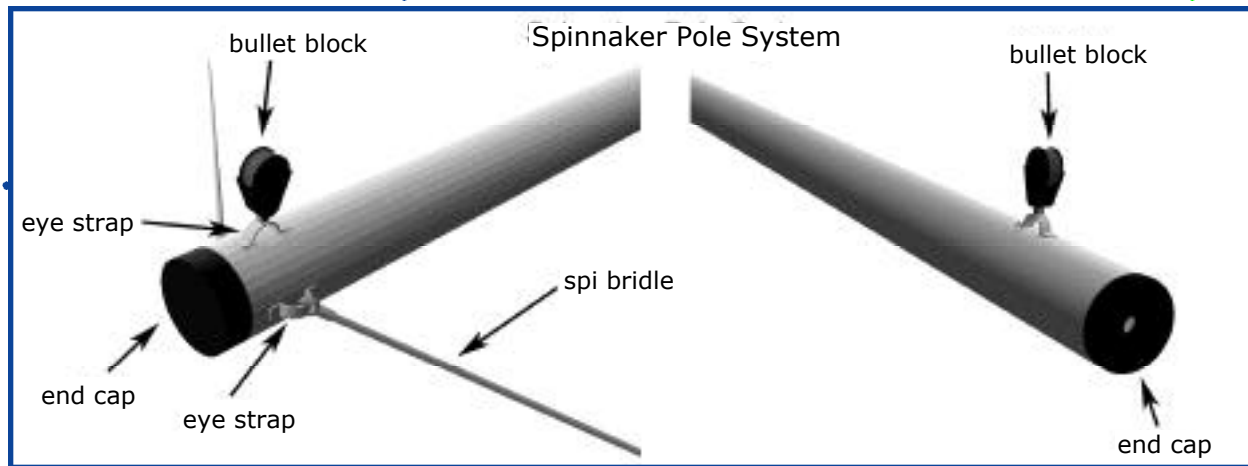
# Sails & Battens

<u>P/N</u>	<u>Description</u>	<u>Model</u>	<u>P/N</u>	<u>Description</u>	<u>Model</u>
83001	Mainsail	Blast	8837	Spinnaker Small 3 Hole	F18
8300	Mainsail	Blast School	8853	Spinnaker Large	F18IN
8517	Mainsail	500	8854	Spinnaker Small	F18IN
8566	Mainsail	570	8829	Spinnaker 2 Hole	20
8730	Mainsail	580	8827	Spinnaker 3 Hole	20
8811	Mainsail	17R		** 2 Hole Spinnakers for End Pole Snuffer.	
8814	Mainsail	17		3 Hole Spinnaker for Mid-Pole Snuffer.	
8819	Mainsail	18		Sizes based on class rules.	
8830	Mainsail	F18	8305	Batten Set	Blast
8850	Mainsail	F18IN	8304	Batten Set	Blast School
8620	Mainsail	20	8501	Batten Set	500
8302	Jibsail	Blast	8570	Batten Set	570
8518	Jibsail	500	8732	Batten Set	580
8568	Jibsail	570	8810	Batten Set	17R
8731	Jibsail	580	8815	Batten Set	17
8812	Jibsail	17	8822	Batten Set	18
1728	Jib Retro Kit	17	8835	Batten Set	F18
8820	Jibsail Large	18	8858	Batten Set	F18IN
8826	Jibsail Small	18	8828	Batten Set	20
8831	Jibsail Large	F18	8905	Replacement Glass Batten	50"
8832	Jibsail Small	F18	8906	Replacement Glass Batten	74"
8851	Jibsail Large	F18IN	8010	Replacement Glass Batten	94 1/2"
8852	Jibsail Small	F18IN	8902	Replacement Race Batten	50"
8622	Jibsail Full Batten	20	8903	Replacement Race Batten	74 1/2"
8621	Jibsail Roller Furling	20	8813	Replacement Race Batten	94
8303	Spinnaker	Blast	8904	Replacement Race Batten	101
8816	Spinnaker Small 2 Hole **	17	8610	Clew Traveler Assembly	500/570
8807	Spinnaker Small 3 Hole	17	8612	Clew Traveler End Stop (Lrg)	500/570
8808	Spinnaker Large 2 Hole	17	3511	Clew Traveler End Stop (Sml)	500/570
8809	Spinnaker Large 3 Hole	17	2622	Clew Traveler Car	500/570
8821	Spinnaker	18	F155	Screws for Clew Traveler Track	500/570
8833	Spinnaker Large 2 Hole	F18	F111	Screws for Clew Traveler End Stops	500/570
8834	Spinnaker Small 2 Hole	F18	C613	Swivel Exit Block	500/570
8836	Spinnaker Large 3 Hole	F18	F100	Rivet For Clew Track	500/570



# Spinnaker Pole Systems

<u>P/N</u>	<u>Description</u>	<u>Model</u>	<u>P/N</u>	<u>Description</u>	<u>Model</u>
9684	Complete Pole w/Rigging	Blast	8999	Small Springs	Any
1731	Complete Pole w/Rigging	17	9057	Bullet Block w/Swivel (H#-166)	Any
9676	Complete Pole w/Rigging	18	F100	6-4 Rivets	Any
9674	Complete Pole w/Rigging	F18	4020	Halyard Stopper Ball	Any
9695	Complete Pole w/Rigging	F18IN	6157	Chafe Guard Per Foot	Any
9675	Complete Pole w/Rigging	20	9624	Pole Extrusion	17/18
9625	Rear End Cap	Any	9687	Pole Extrusion	F18
9631	Front End Cap	Any	9677	Pole Extrusion	F18IN
9696	Mid Pole Snuffer (1-1/2" Pole)	Any	9622	Pole Extrusion	20
9697	Mid Pole Snuffer (2" Pole)	Any	F139	Screw	Any
9710	Mid Pole Snuffer Ring Euro	Any	F127	Nut	Any
9711	Mid Pole Snuffer Ring Bag	Any	1731	Retro Spin Kit	17
9712	Euro Installation Kit	Any	9653	Pole Ring	17
9633	Spin Pole Holder for Furler	Any	9652	Bridle Tang	17
9628	Micro In-line Block (H#-368)	Any	1732	Pole Foreguy	17
9629	Internal Traveler Block (H#-232A)	Any	1737	Forward Pole Wire	17
9630	Spinnaker Halyard Block (H#-224A)	Any	1733	Ring Wires	17
9412	Clevis Pin	Any	9482	Pole Bridle Wire (old style 1996)	18
F116	Split Rings	Any	9487	Pole Bridle Wire	18
9932	Swivel Cleat (H#-HC4551)	17	9474	Mid Pole Wire	F18
3505	Swivel Cleat (H#-240)	18/F18/F18IN/20	9475	Bow Wire	F18
9919	Strapeye	Any	9438	Mid Pole Wire	F18IN
9928	Ratchet Block (H#-019)	Any	9439	Bow Wire	F18IN
N904	Small Block (H#-082A)	Any	9488	Pole Bridle Wire	20
1019	Strapeye	Any	9489	Pole Bridle Wire for Furler	20
9004	1/4" Shackle	Any		*kits do not include spinnaker	



# Trampolines

<u>P/N</u>	<u>Description</u>	<u>Model</u>	<u>P/N</u>	<u>Description</u>	<u>Model</u>
9566	Trampoline	Blast	9207	Trampoline (Side Lace)	F18
9560	Trampoline	500	9209	Trampoline	F18IN
9570	Trampoline	570	9208	Trampoline (Side Lace)	20
9205	Trampoline	580	9215	Trampoline Slotted Side Lace	17
9203	Trampoline (Slotted Hull)	17	9216	Trampoline Slotted Side Lace	F18
9204	Trampoline (Slotted Hull)	F18	9217	Trampoline Slotted Side Lace	20
9202	Trampoline (Slotted Hull)	18/20	9616	Trampoline Tie Rod	Any
9206	Trampoline (Side Lace)	17		* Trampolines include lace lines	

# Rigging

<u>P/N</u>	<u>Description</u>	<u>Model</u>	<u>P/N</u>	<u>Description</u>	<u>Model</u>
9460	Shroud	Blast	9443	Trapeze (Double)	580
9590	Shroud	500	1744	Trapeze (Single)	17
9597	Shroud	570	9484	Trapeze (Double)	18
9440	Shroud	580	9467	Trapeze (Double)	F18
1740	Shroud	17	9435	Trapeze (Double)	F18IN
9480	Shroud	18	9490	Trapeze (Double)	20
9471	Shroud	F18	9838	Main Halyard Ring	Any
9432	Shroud	F18IN	9780	Main Halyard Ring w/Welded Shackle	Any
9479	Shroud	20	9088	Jib Halyard Line	Any
9461	Forestay	Blast	9464	Jib Halyard Wire	Blast
9591	Forestay	500	9594	Jib Halyard Wire	500
9598	Forestay	570	9588	Jib Halyard Wire	570
9576	Forestay For Furler	570	9444	Jib Halyard Wire	580
9441	Forestay	580	9485	Jib Halyard Wire	18
1741	Forestay Short	17	9470	Jib Halyard Wire	F18
1749	Forestay Long	17	9436	Jib Halyard Wire	F18IN
9481	Forestay	18	9491	Jib Halyard Wire	20
9472	Forestay	F18	9896	Jib Halyard Wire Block	Any
9469	Forestay w/Ring	F18	9465	Diamond Wire	Blast
9433	Forestay	F18IN	9595	Diamond Wire	500
9478	Forestay	20	9589	Diamond Wire	570
9497	Forestay w/Ring	20	9446	Diamond Wire	580
9477	Forestay For Furler	20	1743	Diamond Wire	17
9463	Bridle Wire	Blast	9483	Diamond Wire	18
9593	Bridle Wire	500	9468	Diamond Wire	F18
9599	Bridle Wire	570	9437	Diamond Wire	F18IN
9442	Bridle Wire	580	9492	Diamond Wire	20
1742	Bridle Wire Original	17	9893	Shroud Adjuster	Any
1750	Bridle Wire for Jib	17	9894	Shroud Adjuster Cover	Any
9487	Bridle Wire	18	9924	Shroud Adjuster w/Eye & V Jam	Any
9482	Bridle Wire (OS eye to fork)	18	9418	Diamond Turnbuckle	Any
9473	Bridle Wire	F18	9419	Diamond Turnbuckle Pin Plate	Any
9434	Bridle Wire	F18IN	9853	Trapeze Ring	Blast/500/570/580
9488	Bridle Wire	20	9936	Trapeze Ring	17/18/F18/F18IN/20
9489	Bridle Wire For Furler	20	9854	Trapeze Height Adjuster	Any
9462	Trapeze (Single)	Blast School	9035	Furler w/Swivel	18/F18/20
9466	Trapeze (Double)	Blast	9649	Upper Furler tang	18/F18/20
9592	Trapeze (Double)	500	9656	Inline Jib Halyard Block	18/F18/20
9596	Trapeze (Double)	570	9476	Retro Furler Kit	20

# Fasteners

<u>P/N</u>	<u>Description</u>	<u>Model</u>	<u>P/N</u>	<u>Description</u>	<u>Model</u>
9003	5/16" Bow Shackle	Any	4514	1/4" X 1-3/8" Clevis Pin	Any
9004	1/4" Bow Shackle	Any	7809	1/4" X 1-1/2" Clevis Pin	Any
9005	3/16" D Shackle	Any	4524	1/4" X 1-5/8" Clevis Pin	Any
9891	1/4" Twist Shackle	Any	4587	1/4" X 2-3/16" Clevis Pin	Any
9840	3/16" Twist Shackle	Any	9412	3/16" X 13/32" Clevis Pin	Any
9909	1/4" Large D Shackle	Any	9845	3/16" X 5/8" Clevis Pin	Any
9037	1/4" Halyard Shackle	Any	F151	9/16 Dolphin Striker Nut	Any
F158	Mast Base Pin	Any	F152	9/16 Dolphin Striker Washer	Any
F116	Split Ring	Any	F180	Front Crossbar Bolts	Any
9415	1/4" X 3/8" Clevis Pin	Any	F181	Rear Crossbar Bolts	Any
9899	1/4" X 1/2" Clevis Pin	Any	F169	End Cap Screws	Any
4012	1/4" X 3/4" Clevis Pin	Any	F107	5/16" Nylock Nut	Any
6004	1/4" X 1" Clevis Pin	Any	F118	5/16" Nylon Washer	Any
6504	1/4" X 1-1/8" Clevis Pin	Any			

# Sheets & Lines

<u>P/N</u>	<u>Description</u>	<u>Model</u>	<u>P/N</u>	<u>Description</u>	<u>Model</u>
9013	Mainsheet	500/570/580/17/18	9803	7/16" Line Per Foot	Any
9690	Mainsheet	F18/F18IN/20	9798	3/8" Line Per Foot	Any
9811	Traveler Split Tail	17/18/F18/F18IN/20	9802	5/16" Line Per Foot	Any
9870	Traveler Line	Blast/500/570/580	9809	1/4" Line Per Foot	Any
9086	Jib Sheet	17/500/570/580	9805	3/16" Line Per Foot	Any
9692	Self Tack Jib Sheet 6mm x 30"	F18/F18IN/20	9815	8mm Line Per Foot	Any
9691	Self Tack Jib Sheet 4mm x 6' 7"	F18/F18IN/20	9819	6mm Line Per Foot	Any
9088	Jib Halyard	Any	9824	5mm Line Per Foot	Any
9089	Jib Pigtail	Any	9826	4mm Line Per Foot	Any
9090	Rotator Line	17/18/F18/F18IN/20	9700	3/16" Shockcord Per Foot	Any
9083	Downhaul Line	Any	9682	Spinnaker Sheet	Blast
9087	Trampoline Lace Line Aft	Any	9092	Spinnaker Sheet	17/18/F18
9583	Trampoline Side Lace	500/570/580	9092	Spinnaker Sheet	20
9210	Trampoline Side Lace	17/F18/F18IN/20	9627	Spinnaker Halyard 80'	17/18/F18
9084	Hiking Strap Line	Any	9793	Spinnaker Halyard 85'	17/18/F18/F18IN
9581	Main Halyard	17/18/F18/F18IN/20	9659	Spinnaker Halyard 85'	20
9806	Main Halyard	500/570/580	9644	Spinnaker Halyard 90'	20
9824	Trapeze Line	Any	9094	Spinnaker Tack Line 16'	17/18/F18
9876	Trapeze Shockcord	Any	9101	Spinnaker Tack Line	20
9813	Righting Line	Any	9612	Spinnaker Tack Line 1' 9"	Any
9091	Furler Line	Any			

# Blocks & Cleats

<u>P/N</u>	<u>Description</u>	<u>Model</u>	<u>P/N</u>	<u>Description</u>	<u>Model</u>
9927	Jib Blocks (H#-HSB277)	Any	9761	Small Swivel Carbo Block (H-#2636)	F18/F18IN/20
N904	Jib Clew Blocks (H#-082A)	Any	9762	Micro Cheek Block (H#-416A)	F18/F18IN/20
9940	Main Carbo Block (H#-HSB353)	Any	9763	Micro Bullet Block H#404A	F18/F18IN/20
9941	Main Carbo Boom Block (H#-2631)	Any	9765	Small Swivel Bullet Block H#183	F18/F18IN/20
9951	Main Ratchet Block	500	9766	Micro Bullet w/Strapeye (H#-442assy)	F18/F18IN/20
9954	Main Boom Block	500	9769	Micro Swivel Block (H#-417)	F18/F18IN/20
9952	Main Ratchet Block	570/580/17	C613	Swivel Cleat (H#-HSB293)	Any
9941	Main Boom Block	570/580/17	C620	Downhaul Assembly (H#-HSB292)	Any
9953	Main Ratchet Block	F18/F18IN/20	9034	Small Cheek Block (H#-233A)	Any
9955	Main Boom Block	F18/F18IN/20	9046	Cheek Block(H#-092A)	17/18/F18/F18IN/20
9928	Spinnaker Block (H#-019)	17/18/F18/F18IN/20	9066	Rotator Cleat (H#-HC4569)	17/18/F18/F18IN/20
9096	Micro Double Block (H#-406A)	17/18/F18/F18IN/20	9932	Spin Halyard Cleat (H#-HC4551)	17
9097	Micro Triple Block (H#-408A)	17/18/F18/F18IN/20	3505	Spin Halyard Cleat (H#-240)	18/F18/F18IN/20
9057	Bullet Block w/Swivel (H#-166)	Any	9903	Furler Cleat	18/F18/F18IN
9760	Small Standup Carbo Block (H-#349)	F18/F18IN/20	8999	Small Block Spring	Any
			9910	Block Spring	Any

